



## LEISTUNGSERKLÄRUNG



DoP: 0157

für Injektionssystem FIS EM Plus (Verbundanker für die Verwendung in Beton) – DE

1. Eindeutiger Kenncode des Produkttyps: **DoP: 0157**
2. Verwendungszweck(e): **Nachträgliche Befestigung im gerissenen und ungerissenen Beton, siehe Anhang, insbesondere Anhänge B 1 bis B 13**
3. Hersteller: **fischerwerke GmbH & Co. KG, Otto-Hahn-Straße 15, 79211 Denzlingen, Deutschland**
4. Bevollmächtigter: --
5. System(e) zur Bewertung und Überprüfung der Leistungsbeständigkeit: **1**
6. Europäisches Bewertungsdokument: **EAD 330499-01-0601**  
Europäische Technische Bewertung: **ETA-17/0979; 2018-12-06**  
Technische Bewertungsstelle: **DIBt**  
Notifizierte Stelle(n): **1343 – MPA Darmstadt**

7. Erklärte Leistung(en):

### **Mechanische Festigkeit und Standsicherheit (BWR 1)**

- **Charakteristischer Widerstand für statische und quasi-statische Einwirkungen, Verschiebungen: Siehe Anhang, insbesondere Anhänge C 1 bis C 10**
- **Charakteristischer Widerstand für die seismische Leistungskategorien C1 und C2, Verschiebungen: Siehe Anhang, insbesondere Anhänge C 11 bis C 14**

### **Hygiene, Gesundheit und Umweltschutz (BWR 3)**

- **Inhalt, Emission und/oder Freisetzung von gefährlichen Stoffen: KLF**

8. Angemessene Technische Dokumentation und/oder Spezifische Technische Dokumentation: ---

Die Leistung des vorstehenden Produkts entspricht der erklärten Leistung/den erklärten Leistungen. Für die Erstellung der Leistungserklärung im Einklang mit der Verordnung (EU) Nr. 305/2011 ist allein der obengenannte Hersteller verantwortlich.

Unterzeichnet für den Hersteller und im Namen des Herstellers von:

Andreas Bucher, Dipl.-Ing.

Wolfgang Hengesbach, Dipl.-Ing., Dipl.-Wirtsch.-Ing.

Tumlingen, 2018-12-14

- Diese Leistungserklärung wurde in verschiedenen Sprachversionen erstellt. Für den Fall unterschiedlicher Auslegung hat immer die englische Version Vorrang.
- Der Anhang enthält freiwillige und ergänzende Informationen in englischer Sprache. Diese gehen über die (sprachneutral angegebenen) gesetzlichen Anforderungen hinaus.

**Specific Part**

**1 Technical description of the product**

The "fischer injection system FIS EM Plus" is a bonded fastener consisting of a cartridge with injection mortar fischer FIS EM Plus and a steel element according to Annex A5.

The steel element is placed into a drilled hole filled with injection mortar and is anchored via the bond between metal part, injection mortar and concrete.

The product description is given in Annex A.

**2 Specification of the intended use in accordance with the applicable European Assessment Document**

The performances given in Section 3 are only valid if the anchor is used in compliance with the specifications and conditions given in Annex B.

The verifications and assessment methods on which this European Technical Assessment is based lead to the assumption of a working life of the anchor of at least 50 years. The indications given on the working life cannot be interpreted as a guarantee given by the producer, but are to be regarded only as a means for choosing the right products in relation to the expected economically reasonable working life of the works.

**3 Performance of the product and references to the methods used for its assessment**

**3.1 Mechanical resistance and stability (BWR 1)**

Essential characteristic	Performance
Characteristic values under static and quasi-static action, displacements	See Annex C 1 to C 10
Characteristic values for seismic performance categories C1 and C2, displacements	See Annex C 11 to C 14

**3.2 Hygiene, health and the environment (BWR 3)**

Essential characteristic	Performance
Content, emission and/or release of dangerous substances	No performance assessed

**4 Assessment and verification of constancy of performance (AVCP) system applied, with reference to its legal base**

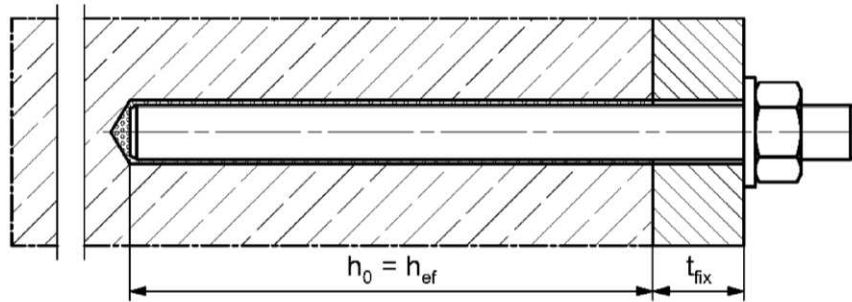
In accordance with EAD 330499-01-0601 according to Article 66 Paragraph 3 of Regulation (EU) No 305/2011 the applicable European legal act is: [96/582/EC].

The system to be applied is: 1

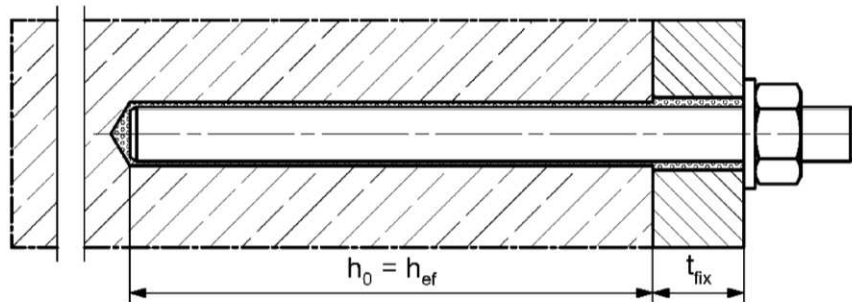
**Installation conditions part 1**

fischer anchor rod

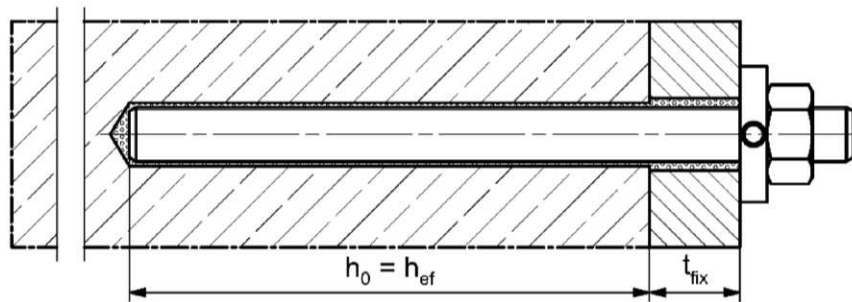
**Pre positioned installation**



**Push through installation** (annular gap filled with mortar)



**Pre-positioned or push through installation with subsequently pressed filling disk**  
(annular gap filled with mortar)



Figures not to scale

$h_0$  = drill hole depth

$h_{ef}$  = effective embedment depth

$t_{fix}$  = thickness of fixture

fischer injection system FIS EM Plus

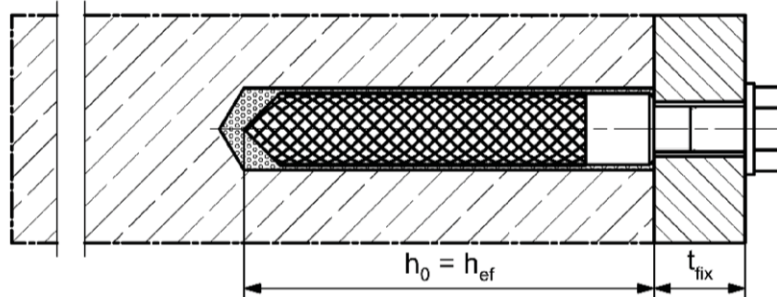
**Product description**  
Installation conditions part 1

**Annex A 1**

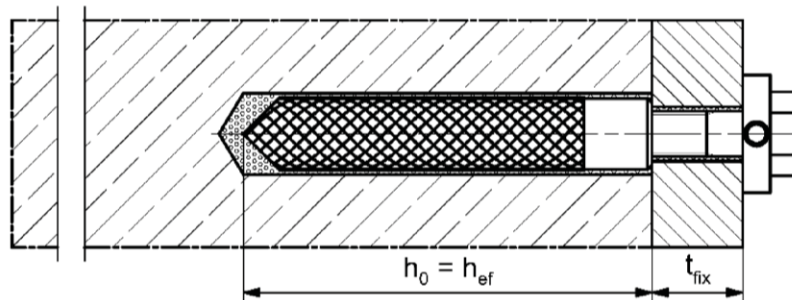
**Installation conditions part 2**

fischer internal threaded anchor RG MI

Pre positioned installation



Pre-positioned installation with subsequently pressed filling disk (annular gap filled with mortar)



Figures not to scale

$h_0$  = drill hole depth

$h_{ef}$  = effective embedment depth

$t_{fix}$  = thickness of fixture

fischer injection system FIS EM Plus

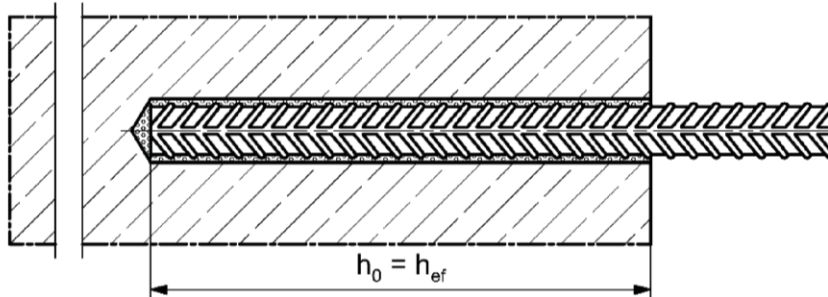
**Product description**  
Installation conditions part 2

**Annex A 2**



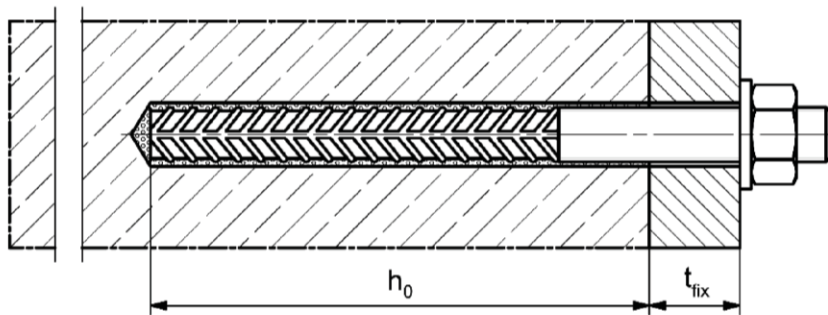
**Installation conditions part 3**

**Reinforcing bar**

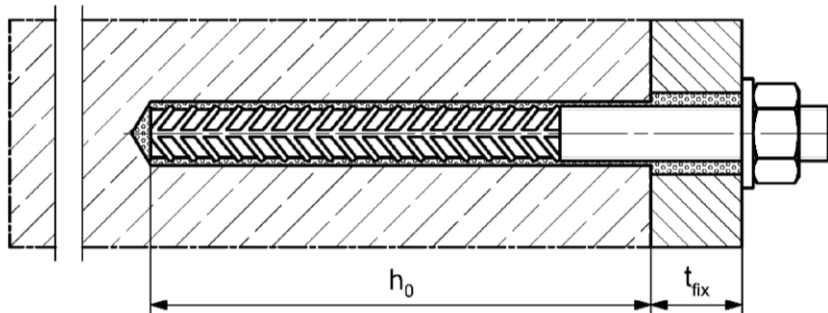


**fischer rebar anchor FRA**

**Pre positioned installation**



**Push through installation (annular gap filled with mortar)**



Figures not to scale

$h_0$  = drill hole depth

$h_{ef}$  = effective embedment depth

$t_{fix}$  = thickness of fixture

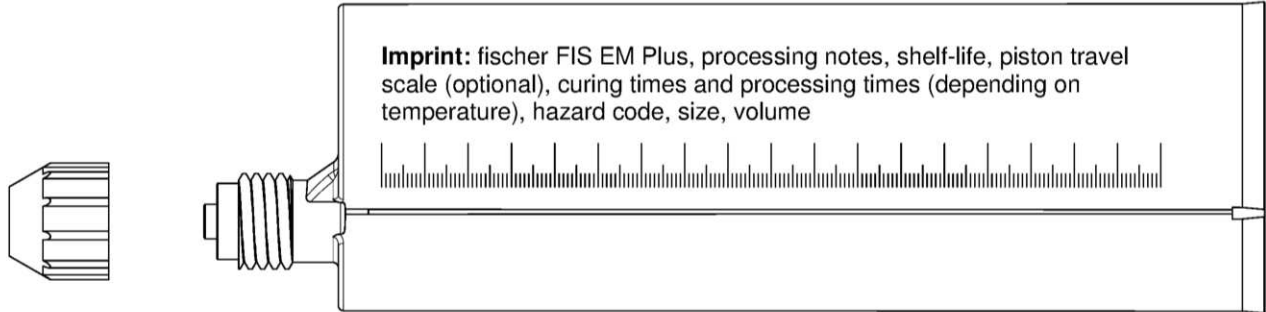
fischer injection system FIS EM Plus

**Product description**  
Installation conditions part 3

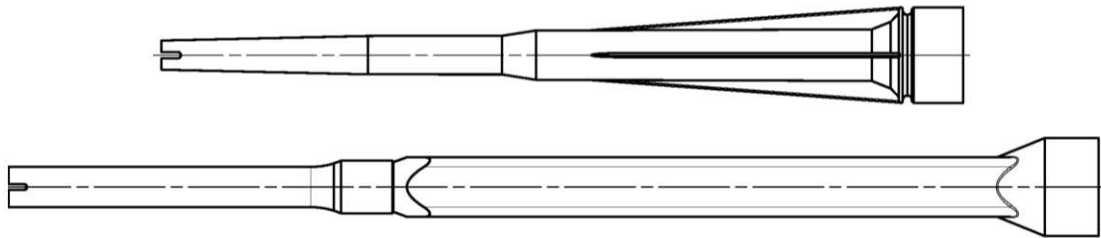
**Annex A 3**

**Overview system components part 1**

**Injection cartridge (shuttle cartridge) with sealing cap; Size: 390 ml, 585 ml, 1100 ml, 1500 ml**



**Static mixer FIS MR Plus or UMR**



**Injection adapter and Extension tube for static mixer**



**Cleaning brush BS / BSB**



**Blow-out pump ABP**



Figures not to scale

fischer injection system FIS EM Plus

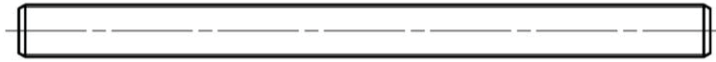
**System description**  
 Overview system components part 1;  
 cartridges / static mixer / accessories

**Annex A 4**

**Overview system components part 2**

**fischer anchor rod**

Size: M8, M10, M12, M14, M16, M20, M22, M24, M27, M30

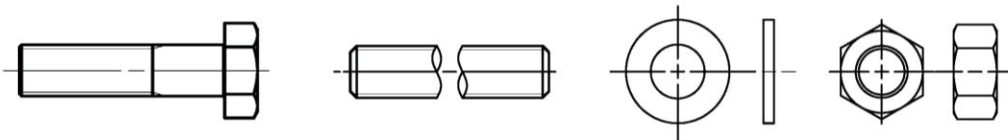


**fischer internal threaded anchor RG MI**

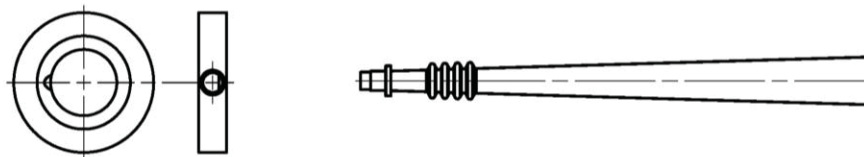
Size: M8, M10, M12, M16, M20



**Screw / threaded rod / washer / hexagon nut**



**fischer filling disk FFD with injection adapter**



**Reinforcing bar**

Nominal diameter:  $\phi 8$ ,  $\phi 10$ ,  $\phi 12$ ,  $\phi 14$ ,  $\phi 16$ ,  $\phi 18$ ,  $\phi 20$ ,  $\phi 22$ ,  $\phi 24$ ,  $\phi 25$ ,  $\phi 26$ ,  $\phi 28$ ,  $\phi 30$ ,  $\phi 32$ ,  $\phi 34$ ,  $\phi 36$ ,  $\phi 40$



**fischer rebar anchor FRA**

Size: M12, M16, M20, M24



Figures not to scale








fischer injection system FIS EM Plus

**System description**

Overview system components part 2;  
steel components

**Annex A 5**

<b>Table A6.1: Materials</b>				
<b>Part</b>	<b>Designation</b>	<b>Material</b>		
1	Injection cartridge	Mortar, hardener, filler		
	Steel grade	Steel, zinc plated	Stainless steel A4	High corrosion resistant steel C
2	Anchor rod	Property class 5.8 or 8.8; EN ISO 898-1:2013 zinc plated $\geq 5 \mu\text{m}$ , EN ISO 4042:1999 A2K or hot-dip galvanized $\geq 40 \mu\text{m}$ EN ISO 10684:2004 $f_{uk} \leq 1000 \text{ N/mm}^2$ $A_5 > 12\%$ fracture elongation	Property class 50, 70 or 80 EN ISO 3506-1:2009 1.4401; 1.4404; 1.4578; 1.4571; 1.4439; 1.4362; 1.4062, 1.4662, 1.4462; EN 10088-1:2014 $f_{uk} \leq 1000 \text{ N/mm}^2$ $A_5 > 12\%$ fracture elongation	Property class 50 or 80 EN ISO 3506-1:2009 or property class 70 with $f_{yk} = 560 \text{ N/mm}^2$ 1.4565; 1.4529; EN 10088-1:2014 $f_{uk} \leq 1000 \text{ N/mm}^2$ $A_5 > 12\%$ fracture elongation
Fracture elongation $A_5 > 8 \%$ , for applications without requirements for seismic performance category C2				
3	Washer ISO 7089:2000	zinc plated $\geq 5 \mu\text{m}$ , EN ISO 4042:1999 A2K or hot-dip galvanized $\geq 40 \mu\text{m}$ EN ISO 10684:2004	1.4401; 1.4404; 1.4578; 1.4571; 1.4439; 1.4362; EN 10088-1:2014	1.4565; 1.4529; EN 10088-1:2014
4	Hexagon nut	Property class 5 or 8; EN ISO 898-2:2012 zinc plated $\geq 5 \mu\text{m}$ , ISO 4042:1999 A2K or hot-dip galvanized $\geq 40 \mu\text{m}$ EN ISO 10684:2004	Property class 50, 70 or 80 EN ISO 3506-1:2009 1.4401; 1.4404; 1.4578; 1.4571; 1.4439; 1.4362; EN 10088-1:2014	Property class 50, 70 or 80 EN ISO 3506-1:2009 1.4565; 1.4529 EN 10088-1:2014
5	fischer internal threaded anchor RG MI	Property class 5.8 ISO 898-1:2013 zinc plated $\geq 5 \mu\text{m}$ , ISO 4042:1999 A2K	Property class 70 EN ISO 3506-1:2009 1.4401; 1.4404; 1.4578; 1.4571; 1.4439; 1.4362; EN 10088-1:2014	Property class 70 EN ISO 3506-1:2009 1.4565; 1.4529; EN 10088-1:2014
6	Commercial standard screw or anchor / threaded rod for fischer internal threaded anchor RG MI	Property class 5.8 or 8.8; EN ISO 898-1:2013 zinc plated $\geq 5 \mu\text{m}$ , ISO 4042:1999 A2K $A_5 > 8 \%$ fracture elongation	Property class 70 EN ISO 3506-1:2009 1.4401; 1.4404; 1.4578; 1.4571; 1.4439; 1.4362; EN 10088-1:2014 $A_5 > 8 \%$ fracture elongation	Property class 70 EN ISO 3506-1:2009 1.4565; 1.4529; EN 10088-1:2014 $A_5 > 8 \%$ fracture elongation
7	fischer filling disk FFD similar to DIN 6319-G	zinc plated $\geq 5 \mu\text{m}$ , EN ISO 4042:1999 A2K or hot-dip galvanized $\geq 40 \mu\text{m}$ EN ISO 10684:2004	1.4401; 1.4404; 1.4578; 1.4571; 1.4439; 1.4362; EN 10088-1:2014	1.4565; 1.4529; EN 10088-1:2014
8	Reinforcing bar EN 1992-1-1:2004 and AC:2010, Annex C	Bars and de-coiled rods, class B or C with $f_{yk}$ and $k$ according to NDP or NCL of EN 1992-1-1:2004+AC:2010 $f_{uk} = f_{tk} = k \cdot f_{yk}$		
9	fischer rebar anchor FRA	Rebar part: Bars and de-coiled rods class B or C with $f_{yk}$ and $k$ according to NDP or NCL of EN 1992-1-1:2004+AC:2010 $f_{uk} = f_{tk} = k \cdot f_{yk}$	Threaded part: Property class 70 or 80 EN ISO 3506-1:2009 1.4565; 1.4529, 1.4401, 1.4404, 1.4571, 1.4578, 1.4439, 1.4362, 1.4062 EN 10088-1:2014	
fischer injection system FIS EM Plus				<b>Annex A 6</b>
<b>Product description</b> Materials				

Specifications of intended use (part 1)									
Table B1.1: Overview use and performance categories									
Anchorages subject to		FIS EM Plus with ...							
		Anchor rod	fischer internal threaded anchor RG MI	Reinforcing bar	fischer rebar anchor FRA				
									
Hammer drilling with standard drill bit		all sizes							
Hammer drilling with hollow drill bit (fischer "FHD", Heller "Duster Expert"; Bosch "Speed Clean"; Hilti "TE-CD, TE-YD")		Nominal drill bit diameter (d <sub>0</sub> ) 12 mm to 35 mm							
Diamond drilling		all sizes							
Static and quasi static load, in	uncracked concrete	all sizes	Tables: C1.1	all sizes	Tables: C2.1	all sizes	Tables: C3.1	all sizes	Tables: C3.2
	cracked concrete		C4.1		C4.1		C4.1		C4.1
Seismic performance category (only hammer drilling with standard / hollow drill bits)	C1	M10 to M30	Tables: C11.1 C12.2 C13.1	-	-	-	φ10 to φ32	Tables: C12.1 C12.2 C13.2	-
	C2	M12 M16 M20 M24	Tables: C11.1 C12.2 C14.1				-	-	
Use category	I1	dry or wet concrete	all sizes						
	I2	water filled hole	all sizes						
Installation direction	D3 (downward and horizontal and upwards (e.g. overhead) installation)								
Installation temperature	T <sub>i,min</sub> = -5 °C to T <sub>i,max</sub> = +40 °C								
In-service temperature	Temperature range I	-40 °C to +60 °C		(max. short term temperature +60 °C ; max. long term temperature +35 °C)					
	Temperature range II	-40 °C to +72 °C		(max. short term temperature +72 °C ; max. long term temperature +50 °C)					
fischer injection system FIS EM Plus									
Intended use Specifications (part 1)								Annex B 1	



**Specifications of intended use (part 2)****Base materials:**

- Compacted reinforced or unreinforced normal weight concrete without fibres of strength classes C20/25 to C50/60 according to EN 206-1:2013

**Use conditions (Environmental conditions):**

- Structures subject to dry internal conditions (zinc coated steel, stainless steel or high corrosion resistant steel).
- Structures subject to external atmospheric exposure (including industrial and marine environment) and to permanently damp internal condition, if no particular aggressive conditions exist (stainless steel or high corrosion resistant steel).
- Structures subject to external atmospheric exposure, to permanently damp internal conditions or in other particular aggressive conditions (high corrosion resistant steel)

Note: Particular aggressive conditions are e. g. permanent, alternating immersion in seawater or the splash zone of seawater, chloride atmosphere of indoor swimming pools or atmosphere with extreme chemical pollution (e.g. in desulphurization plants or road tunnels where de-icing materials are used)

**Design:**

- Anchorages have to be designed by a responsible engineer with experience of concrete anchor design.
- Verifiable calculation notes and drawings are to be prepared taking account of the loads to be anchored. The position of the anchor is indicated on the design drawings (e. g. position of the anchor relative to reinforcement or to supports, etc.).
- Anchorages under seismic loading are designed in accordance with: EN 1992-4:2018 and EOTA Technical Report TR 055. Anchorages shall be positioned outside of critical regions (e.g. plastic hinges) of the concrete structure. Fastening in stand-off installation or with a grout layer under seismic action are not covered in this European Technical Assessment (ETA).

**Installation:**

- Anchor installation is to be carried out by appropriately qualified personnel and under the supervision of the person responsible for technical matters of the site
- In case of aborted hole: The hole shall be filled with mortar
- Anchorage depth should be marked and adhered to on installation
- Overhead installation is allowed

fischer injection system FIS EM Plus

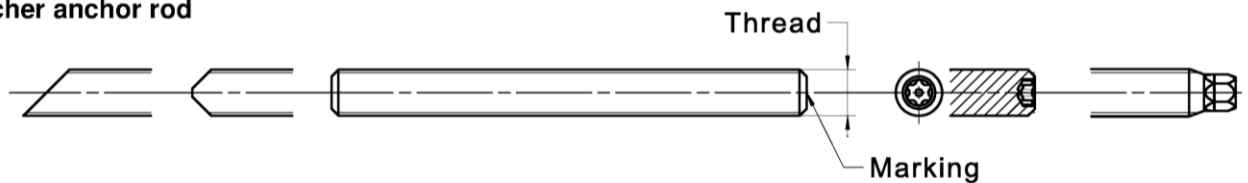
**Intended use**  
Specifications (part 2)

**Annex B 2**

**Table B3.1:** Installation parameters for anchor rods

Anchor rods		Thread	M8	M10	M12	M14	M16	M20	M22	M24	M27	M30	
Width across flats	SW	[mm]	13	17	19	22	24	30	32	36	41	46	
Nominal drill hole diameter	$d_0$		10	12	14	16	18	24	25	28	30	35	
Drill hole depth	$h_0$		$h_0 = h_{ef}$										
Effective embedment depth	$h_{ef, min}$		60	60	70	75	80	90	93	96	108	120	
	$h_{ef, max}$		160	200	240	280	320	400	440	480	540	600	
Diameter of the clearance hole of the fixture	pre positioned installation $d_f$		9	12	14	16	18	22	24	26	30	33	
	push through installation $d_f$		12	14	16	18	20	26	28	30	33	40	
Minimum thickness of concrete member	$h_{min}$		$h_{ef} + 30$ ( $\geq 100$ )			$h_{ef} + 2d_0$							
Maximum torque moment for attachment of the fixture	$\max T_{fix}$		[Nm]	10	20	40	50	60	120	135	150	200	300

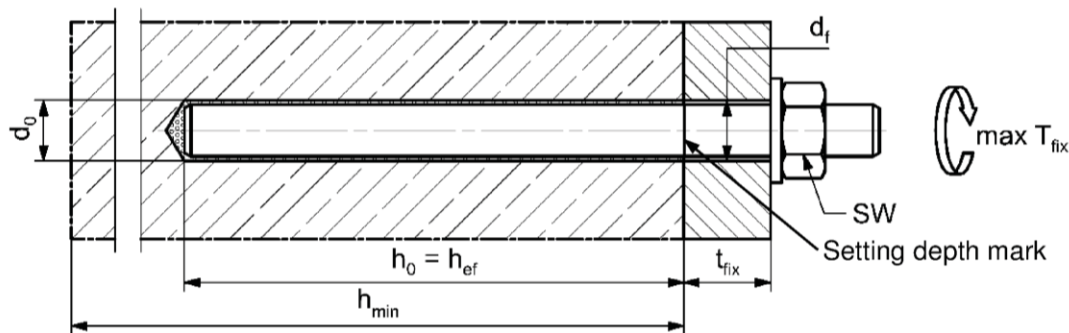
**fischer anchor rod**



**Marking (on random place) fischer anchor rod:**

Property class 8.8, stainless steel, property class 80 and high corrosion resistant steel, property class 80: •  
 Stainless steel A4, property class 50 and high corrosion resistant steel, property class 50: ••  
 Alternatively: Colour coding according to DIN 976-1

**Installation conditions:**



**Commercial standard threaded rods, washers and hexagon nuts may also be used if the following requirements are fulfilled**

- Materials, dimensions and mechanical properties according to Annex A 6, Table A6.1
- Inspection certificate 3.1 according to EN 10204:2004, the documents have to be stored
- Setting depth is marked

Figures not to scale

fischer injection system FIS EM Plus

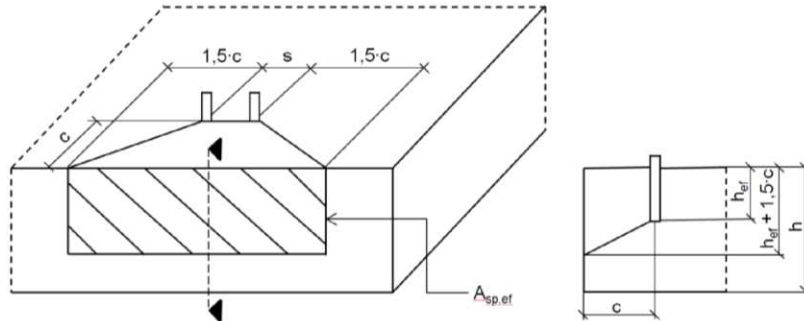
**Intended use**  
Installation parameters anchor rods

**Annex B 3**

<b>Table B4.1:</b> Minimum spacing and minimum edge distance for anchor rods and reinforcing bars											
<b>Anchor rods</b>			<b>M8</b>	<b>M10</b>	<b>M12</b>	<b>M14</b>	<b>M16</b>	<b>-</b>	<b>M20</b>	<b>M22</b>	<b>M24</b>
<b>Reinforcing bars (nominal diameter)</b>		$\phi$	<b>8</b>	<b>10</b>	<b>12</b>	<b>14</b>	<b>16</b>	<b>18</b>	<b>20</b>	<b>22</b>	<b>24</b>
<b>Minimum edge distance</b>											
Uncracked / cracked concrete	$C_{min}$	[mm]	40	45	45	45	50	55	55	55	60
Minimum spacing	$S_{min}$		according to Annex B5								
<b>Minimum spacing</b>											
Uncracked / cracked concrete	$S_{min}$	[mm]	40	45	55	60	65	85	85	95	105
Minimum edge distance	$C_{min}$		according to Annex B5								
<b>Required projecting area</b>											
Uncracked concrete	$A_{sp,req}$	[1000	8	13	22	23	24	38,5	38,5	39,5	40
Cracked concrete		mm <sup>2</sup> ]	6,5	10	16,5	17,5	18,5	29,5	29,5	30	30,5
<b>Anchor rods</b>											
<b>Anchor rods</b>			<b>-</b>	<b>-</b>	<b>M27</b>	<b>-</b>	<b>M30</b>	<b>-</b>	<b>-</b>	<b>-</b>	<b>-</b>
<b>Reinforcing bars (nominal diameter)</b>		$\phi$	<b>25</b>	<b>26</b>	<b>-</b>	<b>28</b>	<b>30</b>	<b>32</b>	<b>34</b>	<b>36</b>	<b>40</b>
<b>Minimum edge distance</b>											
Uncracked / cracked concrete	$C_{min}$	[mm]	75	75	75	80	80	120	120	135	175
Minimum spacing	$S_{min}$		according to Annex B5								
<b>Minimum spacing</b>											
Uncracked / cracked concrete	$S_{min}$	[mm]	120	120	120	140	140	160	160	160	160
Minimum edge distance	$C_{min}$		according to Annex B5								
<b>Required projecting area</b>											
Uncracked concrete	$A_{sp,req}$	[1000	47,5	47,5	47,5	64	64	64	64	64	64
Cracked concrete		mm <sup>2</sup> ]	36,5	36,5	36,5	49	49	49	49	49	49
<p><b>Splitting failure</b> for minimum edge distance and spacing in dependence of the effective embedment depth <math>h_{ef}</math>.</p> <p>For the calculation of minimum spacing and minimum edge distance of anchors in combination with different embedment depths and thicknesses of concrete members the following equation shall be fulfilled:</p> $A_{sp,req} < A_{sp,t}$ <p><math>A_{sp,req}</math> = required projecting area  <math>A_{sp,t} = A_{sp,ef}</math> = effective projecting area (according to Annex B5)</p>											
fischer injection system FIS EM Plus									<b>Annex B 4</b>		
<b>Intended use</b> Minimum spacing and edge distance for anchor rods and reinforcing bars											

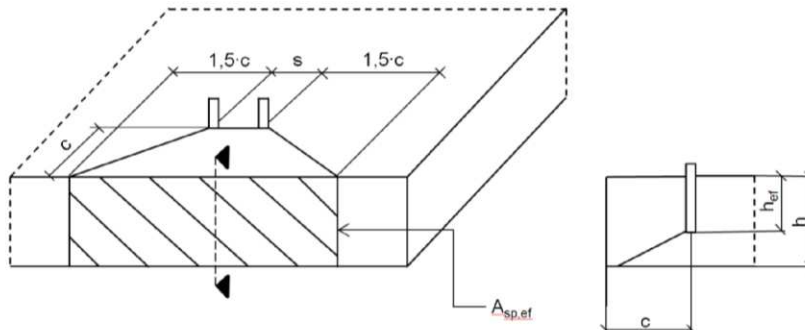


**Table B5.1:** Effective projecting area  $A_{sp,t}$  with concrete member thickness  $h > h_{ef} + 1,5 \cdot c$  and  $h \geq h_{min}$



Single anchor		$A_{sp,t} = (3 \cdot c) \cdot (h_{ef} + 1,5 \cdot c)$	[mm <sup>2</sup> ]	with $c \geq c_{min}$
Group of anchors with	$s > 3 \cdot c$	$A_{sp,t} = (6 \cdot c) \cdot (h_{ef} + 1,5 \cdot c)$	[mm <sup>2</sup> ]	
Group of anchors with	$s \leq 3 \cdot c$	$A_{sp,t} = (3 \cdot c + s) \cdot (h_{ef} + 1,5 \cdot c)$	[mm <sup>2</sup> ]	with $c \geq c_{min}$ and $s \geq s_{min}$

**Table B5.2:** Effekive projecting area  $A_{sp,t}$  with concrete member thickness  $h \leq h_{ef} + 1,5 \cdot c$  and  $h \geq h_{min}$



Single anchor		$A_{sp,t} = 3 \cdot c \cdot \text{existing } h$	[mm <sup>2</sup> ]	with $c \geq c_{min}$
Group of anchors with	$s > 3 \cdot c$	$A_{sp,t} = 6 \cdot c \cdot \text{existing } h$	[mm <sup>2</sup> ]	
Group of anchors with	$s \leq 3 \cdot c$	$A_{sp,t} = (3 \cdot c + s) \cdot \text{existing } h$	[mm <sup>2</sup> ]	with $c \geq c_{min}$ and $s \geq s_{min}$

Edge distance and axial spacing shall be rounded to at least 5 mm

Figures not to scale

fischer injection system FIS EM Plus

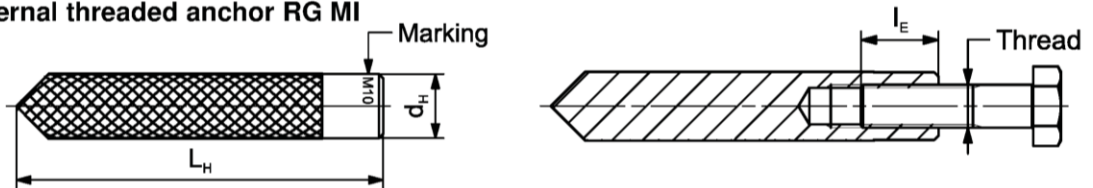
**Intended use**  
Minimum thickness of concrete member for anchor rods,  
minimum spacing and edge distance

**Annex B 5**

**Table B6.1:** Installation parameters plus minimum spacing and minimum edge distance for fischer internal threaded anchors RG MI

Internal threaded anchors RG MI	Thread	M8	M10	M12	M16	M20
Diameter of anchor $d_{nom} = d_H$	[mm]	12	16	18	22	28
Nominal drill hole diameter $d_0$		14	18	20	24	32
Drill hole depth $h_0$		$h_0 = h_{ef} = L_H$				
Effective embedment depth ( $h_{ef} = L_H$ )		90	90	125	160	200
Minimum spacing and minimum edge distance $S_{min} = C_{min}$		55	65	75	95	125
Diameter of clearance hole in the fixture $d_f$		9	12	14	18	22
Minimum thickness of concrete member $h_{min}$		120	125	165	205	260
Maximum screw-in depth $l_{E,max}$		18	23	26	35	45
Minimum screw-in depth $l_{E,min}$		8	10	12	16	20
Maximum torque moment for attachment of the fixture $max T_{fix}$		[Nm]	10	20	40	80

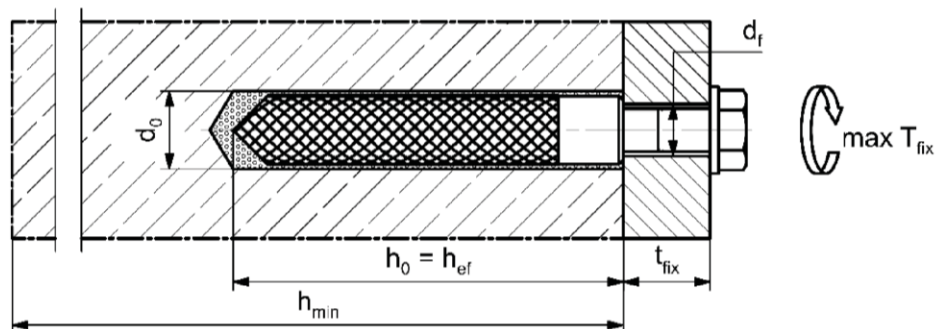
**fischer internal threaded anchor RG MI**



**Marking:** Anchor size e. g.: **M10**  
 Stainless steel → additional **A4**; e.g.: **M10 A4**  
 High corrosion resistant steel → additional **C**; e.g.: **M10 C**

Retaining bolt or threaded rods (including nut and washer) must comply with the appropriate material and strength class of Annex A 6, Table A6.1

**Installation conditions:**



Figures not to scale

fischer injection system FIS EM Plus

**Intended use**  
 Installation parameters internal threaded anchors RG MI

**Annex B 6**

**Table B7.1:** Installation parameters for reinforcing bars

Nominal diameter of the bar		$\phi$	8 <sup>1)</sup>	10 <sup>1)</sup>	12 <sup>1)</sup>	14	16	18	20	22	24	
Nominal drill hole diameter	$d_0$	[mm]	10	12	14	16	18	20	25	25	30	30
Drill hole depth	$h_0$		$h_0 = h_{ef}$									
Effective embedment depth	$h_{ef,min}$		60	60	70	75	80	85	90	94	98	
	$h_{ef,max}$		160	200	240	280	320	360	400	440	480	
Minimum thickness of concrete member	$h_{min}$		$h_{ef} + 30$ ( $\geq 100$ )				$h_{ef} + 2d_0$					

Nominal diameter of the bar		$\phi$	25	26	28	30	32	34	36	40	-	
Nominal drill hole diameter	$d_0$	[mm]	30	35	35	40	40	40	45	55	-	
Drill hole depth	$h_0$		$h_0 = h_{ef}$									
Effective embedment depth	$h_{ef,min}$		100	104	112	120	128	136	144	160	-	
	$h_{ef,max}$		500	520	560	600	640	680	720	800	-	
Minimum thickness of concrete member	$h_{min}$		$h_{ef} + 2d_0$									

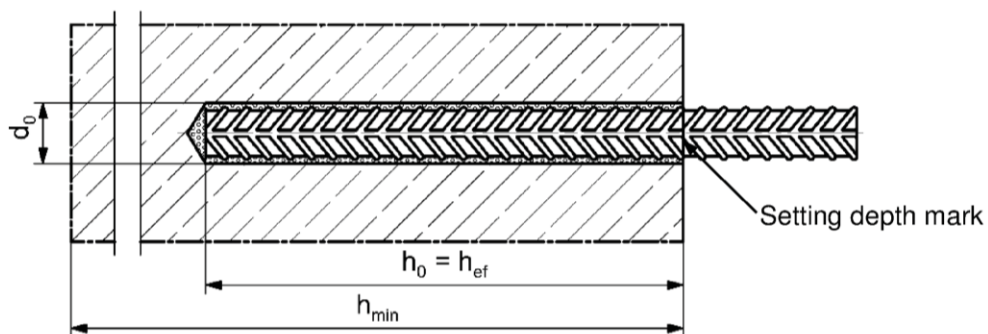
1) Both drill hole diameters can be used

**Reinforcing bar**



- The minimum value of related rib area  $f_{R,min}$  must fulfil the requirements of EN 1992-1-1:2004+AC:2010
- The rib height must be within the range:  $0,05 \cdot \phi \leq h_{rib} \leq 0,07 \cdot \phi$   
( $\phi$  = Nominal diameter of the bar ,  $h_{rib}$  = rib height)

**Installation conditions:**



Figures not to scale

fischer injection system FIS EM Plus

**Intended use**  
Installation parameters reinforcing bars

**Annex B 7**

**Table B8.1:** Installation parameters plus minimum spacing and minimum edge distance for fischer rebar anchor FRA

Rebar anchor FRA		Thread	M12 <sup>1)</sup>	M16	M20	M24
Nominal diameter of the bar	$\phi$	[mm]	12	16	20	25
Width across flats	SW		19	24	30	36
Nominal drill hole diameter	$d_0$		14	16	20	25
Drill hole depth	$h_0$		$h_{ef} + l_e$			
Effective embedment depth	$h_{ef,min}$		70	80	90	96
	$h_{ef,max}$		140	220	300	380
Distance concrete surface to welded joint	$l_e$		100			
Minimum spacing and minimum edge distance	$s_{min}$ = $c_{min}$		55	65	85	105
	Diameter of clearance hole in the fixture					
Diameter of clearance hole in the fixture	pre positioned anchorage $\leq d_f$		14	18	22	26
	push through anchorage $\leq d_f$	18	22	26	32	
Minimum thickness of concrete member	$h_{min}$	$h_0 + 30$ ( $\geq 100$ )	$h_0 + 2d_0$			
Maximum torque moment for attachment of the fixture	$\max T_{fix}$	[Nm]	40	60	120	150

<sup>1)</sup> Both drill hole diameters can be used

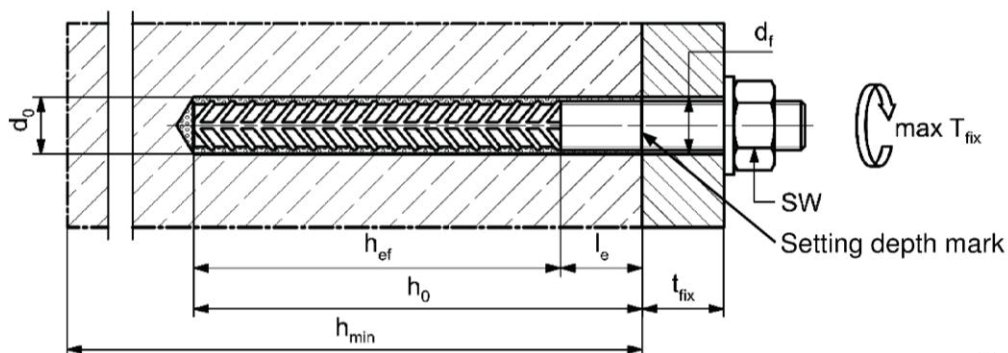
**fischer rebar anchor FRA**



Marking frontal e. g:

- FRA (for stainless steel);
- FRA C (for high corrosion resistant steel)

**Installation conditions:**



Figures not to scale

fischer injection system FIS EM Plus

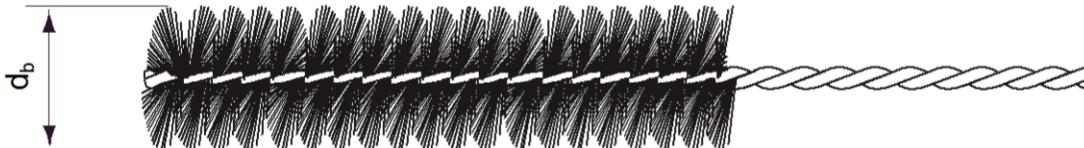
**Intended use**  
Installation parameters rebar anchor FRA

**Annex B 8**

**Table B9.1:** Parameters of the cleaning brush BS (steel brush)

The size of the cleaning brush refers to the drill hole diameter

Nominal drill hole diameter	$d_0$	[mm]	10	12	14	16	18	20	24	25	28	30	32	35	40	45	55
Steel brush diameter	$d_b$		11	14	16	20	25	26	27	30	40			42	47	58	



**Table B9.2** Maximum processing time of the mortar and minimum curing time (During the curing time of the mortar the concrete temperature may not fall below the listed minimum temperature)

Temperature at anchoring base [°C]	Maximum processing time $t_{work}$	Minimum curing time $t_{cure}$
-5 to -1	240 min	200 h
±0 to +4	150 min	90 h
+5 to +9	120 min	40 h
+10 to +19	30 min	18 h
+20 to +29	14 min	10 h
+30 to +40	7 min	5 h

<sup>1)</sup> In wet concrete or water filled holes the curing times must be doubled

fischer injection system FIS EM Plus

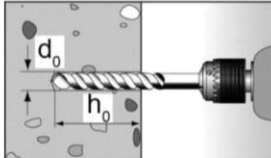
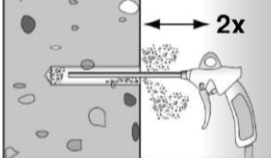

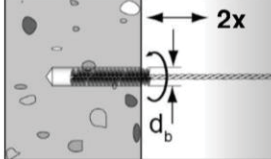
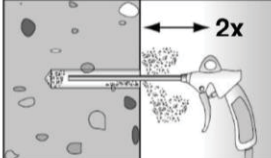

**Intended use**  
 Cleaning brush (steel brush)  
 Processing time and curing time

**Annex B 9**




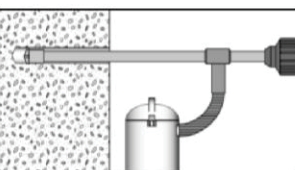
**Installation instructions part 1**

Drilling and cleaning the hole (hammer drilling with standard drill bit)

1		<p>Drill the hole. Nominal drill hole diameter <math>d_0</math> and drill hole depth <math>h_0</math> see <b>tables B3.1, B6.1, B7.1, B8.1</b></p>
2		<p>Cleaning the drill hole: Blow out the drill hole twice, with oil free compressed air (<math>p \geq 6</math> bar)</p> 
3		<p>Brush the drill hole twice. For drill hole diameter <math>\geq 30</math> mm use a power drill. For deep holes use an extension. Corresponding brushes see <b>table B9.1</b></p>
4		<p>Cleaning the drill hole: Blow out the drill hole twice, with oil free compressed air (<math>p \geq 6</math> bar)</p> 

Go to step 6

Drilling and cleaning the hole (hammer drilling with hollow drill bit)

1		<p>Check a suitable hollow drill (see <b>table B1.1</b>) for correct operation of the dust extraction</p>
2		<p>Use a suitable dust extraction system, e. g. Bosch GAS 35 M AFC or a comparable dust extraction system with equivalent performance data</p> <p>Drill the hole with hollow drill bit. The dust extraction system has to extract the drill dust nonstop during the drilling process and must be adjusted to maximum power. Nominal drill hole diameter <math>d_0</math> and drill hole depth <math>h_0</math> see <b>tables B3.1, B6.1, B7.1, B8.1</b></p>

Go to step 6

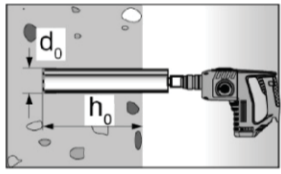
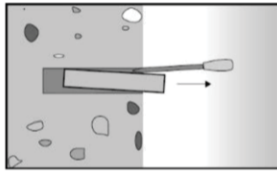
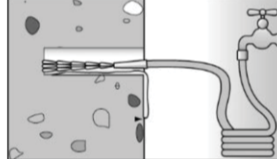
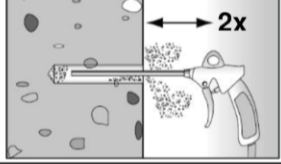
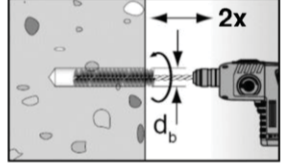
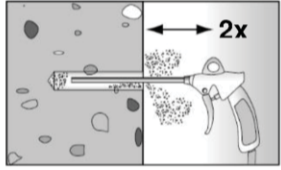
fischer injection system FIS EM Plus

**Intended use**  
Installation instructions part 1

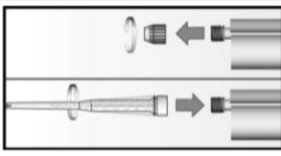
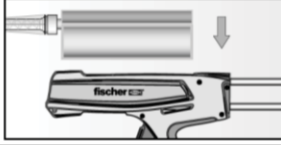
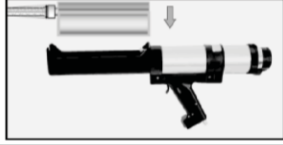


**Annex B 10**

**Installation instructions part 2**

Drilling and cleaning the hole (wet drilling with diamond drill bit)

1		<p>Drill the hole. Drill hole diameter <math>d_0</math> and nominal drill hole depth <math>h_0</math> see tables <b>B3.1</b>, <b>B6.1</b>, <b>B7.1</b>, <b>B8.1</b></p>		<p>Break the drill core and remove it</p>
2		<p>Flush the drill hole with clean water until it flows clear</p>		
3		<p>Blow out the drill hole twice, using oil-free compressed air (<math>p &gt; 6</math> bar)</p>		
4		<p>Brush the drill hole twice using a power drill. Corresponding brushes see table <b>B9.1</b></p>		
5		<p>Blow out the drill hole twice, using oil-free compressed air (<math>p &gt; 6</math> bar)</p>		

Preparing the cartridge

6		<p>Remove the sealing cap Screw on the static mixer (the spiral in the static mixer must be clearly visible)</p>		
7			<p>Place the cartridge into the dispenser</p>	
8			<p>Extrude approximately 10 cm of material out until the resin is evenly grey in colour. Do not use mortar that is not uniformly grey</p>	

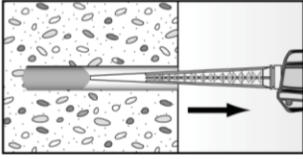
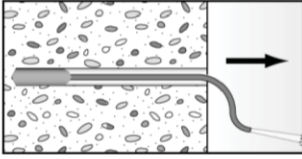
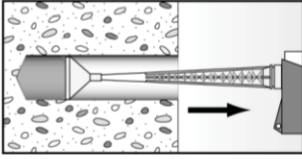
fischer injection system FIS EM Plus

**Intended use**  
Installation instructions part 2

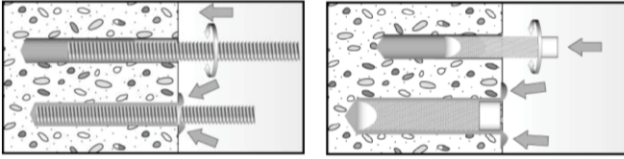
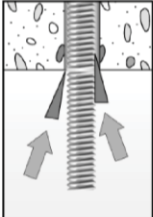
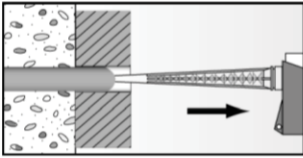

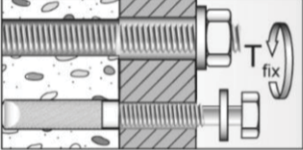
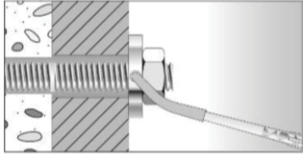
**Annex B 11**

**Installation instructions part 3**

**Injection of the mortar**

<p>9</p>	 <p>Fill approximately 2/3 of the drill hole with mortar. Always begin from the bottom of the hole and avoid bubbles</p>	 <p>For drill hole depth <math>\geq 150</math> mm use an extension tube</p>	 <p>For overhead installation, deep holes (<math>h_0 &gt; 250</math> mm) or drill hole diameter (<math>d_0 \geq 40</math> mm) use an injection-adapter</p>
----------	---	--	---

**Installation of anchor rods or fischer internal threaded anchors RG MI**

<p>10</p>		<p>Only use clean and oil-free anchor elements. Mark the setting depth of the anchor. Push the anchor rod or fischer internal threaded RG MI anchor down to the bottom of the hole, turning it slightly while doing so. After inserting the anchor element, excess mortar must be emerged around the anchor element.</p>
	<p>For overhead installations support the anchor rod with wedges. (e. g. fischer centering wedges)</p>	 <p>For push through installation fill the annular gap with mortar</p>
<p>11</p> 	<p>Wait for the specified curing time <math>t_{cure}</math> see <b>table B9.2</b></p>	<p>12</p>  <p>Mounting the fixture max <math>T_{fix}</math> see <b>tables B3.1 and B6.1</b></p>
<p>Option</p> 	<p>After the minimum curing time is reached, the gap between anchor and fixture (annular clearance) may be filled with mortar via the fischer filling disc FFD. Compressive strength <math>\geq 50</math> N/mm<sup>2</sup> (e.g. fischer injection mortars FIS HB, FIS SB, FIS V, FIS EM Plus) ATTENTION: Using fischer filling disk FFD reduces <math>t_{fix}</math> (usable length of the anchor)</p>	

fischer injection system FIS EM Plus

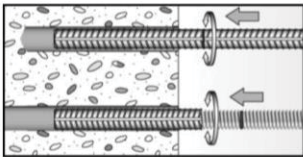
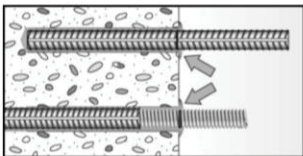

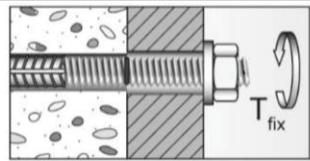
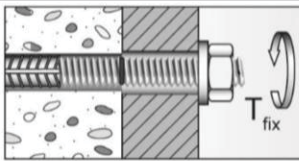
**Intended use**  
Installation instructions part 3

**Annex B 12**



**Installation instructions part 4**

Installation reinforcing bars and fischer rebar anchor FRA

10		<p>Only use clean and oil-free reinforcing bars or fischer FRA. Mark the setting depth. Turn while using force to push the reinforcement bar or the fischer FRA into the filled hole up to the setting depth mark</p>			
10		<p>When the setting depth mark is reached, excess mortar must be emerged from the mouth of the drill hole.</p>			
11	 <p>Wait for the specified curing time <math>t_{cure}</math> see <b>table B9.2</b></p>	<td data-bbox="821 701 917 873">12</td> <td data-bbox="917 701 1236 873">  </td> <td data-bbox="1236 701 1524 873"> <p>Mounting the fixture max <math>T_{fix}</math> see <b>table B8.1</b></p> </td>	12		<p>Mounting the fixture max <math>T_{fix}</math> see <b>table B8.1</b></p>

fischer injection system FIS EM Plus	<b>Annex B 13</b>
<p><b>Intended use</b> Installation instructions part 4</p>	

<b>Table C1.1:</b> Essential characteristics for the <b>steel bearing capacity</b> under tensile / shear load of <b>fischer anchor rods</b> and <b>standard threaded rods</b>													
Anchor rod / standard threaded rod			M8	M10	M12	M14	M16	M20	M22	M24	M27	M30	
<b>Bearing capacity under tensile load, steel failure</b>													
Characteristic resistance $N_{Rk,s}$	Steel zinc plated	Property class	5.8	19(17)	29(27)	43	58	79	123	152	177	230	281
			8.8	29(27)	47(43)	68	92	126	196	243	282	368	449
	Stainless steel A4 and high corrosion resistant steel C	Property class	50	19	29	43	58	79	123	152	177	230	281
			70	26	41	59	81	110	172	212	247	322	393
			80	30	47	68	92	126	196	243	282	368	449
<b>Partial factors <sup>1)</sup></b>													
Partial factor $\gamma_{Ms,N}$	Steel zinc plated	Property class	5.8	1,50									
			8.8	1,50									
	Stainless steel A4 and high corrosion resistant steel C	Property class	50	2,86									
			70	1,50 <sup>2)</sup> / 1,87									
			80	1,60									
<b>Bearing capacity under shear load, steel failure</b>													
<b>without lever arm</b>													
Characteristic resistance $V_{Rk,s}^0$	Steel zinc plated	Property class	5.8	9(8)	15(13)	21	29	39	61	76	89	115	141
			8.8	15(13)	23(21)	34	46	63	98	122	141	184	225
	Stainless steel A4 and high corrosion resistant steel C	Property class	50	9	15	21	29	39	61	76	89	115	141
			70	13	20	30	40	55	86	107	124	161	197
			80	15	23	34	46	63	98	122	141	184	225
Ductility factor	$k_7$	[-]	1,0										
<b>with lever arm</b>													
Charact. resistance $M_{Rk,s}^0$	Steel zinc plated	Property class	5.8	19(16)	37(33)	65	104	166	324	447	560	833	1123
			8.8	30(26)	60(53)	105	167	266	519	716	896	1333	1797
	Stainless steel A4 and high corrosion resistant steel C	Property class	50	19	37	65	104	166	324	447	560	833	1123
			70	26	52	92	146	232	454	626	784	1167	1573
			80	30	60	105	167	266	519	716	896	1333	1797
<b>Partial factors <sup>1)</sup></b>													
Partial factor $\gamma_{Ms,V}$	Steel zinc plated	Property class	5.8	1,25									
			8.8	1,25									
	Stainless steel A4 and high corrosion resistant steel C	Property class	50	2,38									
			70	1,25 <sup>2)</sup> / 1,56									
			80	1,33									
<sup>1)</sup> In absence of other national regulations <sup>2)</sup> Only admissible for steel C, with $f_{yk} / f_{uk} \geq 0,8$ and $A_5 > 12 \%$ (e.g. fischer anchor rods) <sup>3)</sup> Values in brackets are valid for undersized threaded rods with smaller stress area $A_s$ for hotdip galvanized standard threaded rods according to EN ISO 10684:2004+AC:2009													
fischer injection system FIS EM Plus										<b>Annex C 1</b>			
<b>Performance</b>			Essential characteristics for the steel bearing capacity of fischer anchor rods and standard threaded rods										

<b>Table C2.1:</b> Essential characteristics for the <b>steel bearing capacity</b> under tensile / shear load of <b>fischer internal threaded anchors RG MI</b>									
<b>fischer internal threaded anchors RG MI</b>				<b>M8</b>	<b>M10</b>	<b>M12</b>	<b>M16</b>	<b>M20</b>	
<b>Bearing capacity under tensile load, steel failure</b>									
Charact. resistance with screw	$N_{Rk,s}$	Property class	5.8	[kN]	19	29	43	79	123
			8.8		29	47	68	108	179
		Property class 70	A4		26	41	59	110	172
			C		26	41	59	110	172
<b>Partial factors<sup>1)</sup></b>									
Partial factors	$\gamma_{Ms,N}$	Property class	5.8	[-]	1,50				
			8.8		1,50				
		Property class 70	A4		1,87				
			C		1,87				
<b>Bearing capacity under shear load, steel failure</b>									
<b>Without lever arm</b>									
Charact. resistance with screw	$V^0_{Rk,s}$	Property class	5.8	[kN]	9,2	14,5	21,1	39,2	62,0
			8.8		14,6	23,2	33,7	54,0	90,0
		Property class 70	A4		12,8	20,3	29,5	54,8	86,0
			C		12,8	20,3	29,5	54,8	86,0
Ductility factor		$k_7$	[-]	1,0					
<b>With lever arm</b>									
Charact. resistance with screw	$M^0_{Rk,s}$	Property class	5.8	[Nm]	20	39	68	173	337
			8.8		30	60	105	266	519
		Property class 70	A4		26	52	92	232	454
			C		26	52	92	232	454
<b>Partial factors<sup>1)</sup></b>									
Partial factors	$\gamma_{Ms,V}$	Property class	5.8	[-]	1,25				
			8.8		1,25				
		Property class 70	A4		1,56				
			C		1,56				
<sup>1)</sup> In absence of other national regulations <sup>2)</sup> Only for steel failure without lever arm									
fischer injection system FIS EM Plus								<b>Annex C 2</b>	
<b>Performance</b> Essential characteristics for the steel bearing capacity of fischer internal threaded anchor RG MI									

**Table C3.1:** Essential characteristics for the **steel bearing capacity** under tensile / shear load of **reinforcing bars**

Nominal diameter of the bar	$\phi$	8	10	12	14	16	18	20	22	24	25	26	28	30	32	34	36	40	
<b>Bearing capacity under tensile load, steel failure</b>																			
Characteristic resistance	$N_{Rk,s}$	[kN]	$A_s \cdot f_{uk}^{1)}$																
<b>Bearing capacity under shear load, steel failure</b>																			
<b>Without lever arm</b>																			
Characteristic resistance	$V_{Rk,s}^0$	[kN]	$0,5 \cdot A_s \cdot f_{uk}^{1)}$																
Ductility factor	$k_7$	[-]	0,8																
<b>With lever arm</b>																			
Characteristic resistance	$M_{Rk,s}^0$	[Nm]	$1,2 \cdot W_{el} \cdot f_{uk}^{1)}$																

<sup>1)</sup>  $f_{uk}$  or  $f_{yk}$  respectively must be taken from the specifications of the reinforcing bar

**Table C3.2:** Essential characteristics for the **steel bearing capacity** under tensile / shear load of **fischer rebar anchors FRA**

fischer rebar anchor FRA		M12	M16	M20	M24	
<b>Bearing capacity under tensile load, steel failure</b>						
Characteristic resistance	$N_{Rk,s}$	[kN]	63	111	173	270
<b>Partial factor<sup>1)</sup></b>						
Partial factor	$\gamma_{Ms,N}$	[-]	1,4			
<b>Bearing capacity under shear load, steel failure</b>						
<b>Without lever arm</b>						
Characteristic resistance	$V_{Rk,s}^0$	[kN]	30	55	86	124
Ductility factor	$k_7$	[-]	1,0			
<b>With lever arm</b>						
Characteristic resistance	$M_{Rk,s}^0$	[Nm]	92	233	454	785
<b>Partial factor<sup>1)</sup></b>						
Partial factor	$\gamma_{Ms,V}$	[-]	1,56			

<sup>1)</sup> In absence of other national regulations

fischer injection system FIS EM Plus

**Performance**

Essential characteristics for the steel bearing capacity of reinforcing bars and fischer rebar anchors FRA

**Annex C 3**

<b>Table C4.1:</b> Essential characteristics under tensile / shear load																			
<b>Size</b>		<b>All sizes</b>																	
<b>Tensile load</b>																			
Uncracked concrete	$k_{Ucr,N}$	[-]	11,0																
Cracked concrete	$k_{Cr,N}$		7,7																
<b>Factors for the compressive strength of concrete &gt; C20/25</b>																			
Increasing factor for $\tau_{RK}$	C25/30	$\Psi_c$	[-]	1,02															
	C30/37			1,04															
	C35/45			1,06															
	C40/50			1,07															
	C45/55			1,08															
	C50/60			1,09															
<b>Splitting failure</b>																			
Edge distance	$h / h_{ef} \geq 2,0$	$C_{cr,sp}$	[mm]	1,0 $h_{ef}$															
	$2,0 > h / h_{ef} > 1,3$			4,6 $h_{ef} - 1,8 h$															
	$h / h_{ef} \leq 1,3$			2,26 $h_{ef}$															
Spacing	$S_{cr,sp}$			2 $C_{cr,sp}$															
<b>Concrete cone failure</b>																			
Edge distance	$C_{cr,N}$	[mm]	1,5 $h_{ef}$																
Spacing	$S_{cr,N}$		2 $C_{cr,N}$																
<b>Shear load</b>																			
Installation factor	$\gamma_{inst}$	[-]	1,0																
<b>Concrete pry-out failure</b>																			
Factor for pry-out failure	$k_8$	[-]	2,0																
<b>Concrete edge failure</b>																			
The value of $h_{ef}$ ( $=l_f$ ) under shear load		[-]	Conditions according to 1992-4:2018; Section 7.43																
<b>Calculation diameters</b>																			
Size			M8	M10	M12	M14	M16	M20	M22	M24	M27	M30							
fischer anchor rods and standard threaded rods	$d_{nom}$	[mm]	8	10	12	14	16	20	22	24	27	30							
fischer internal threaded anchors RG MI	$d_{nom}$		12	16	18	-	22	28	-	-	-	-							
fischer rebar anchor FRA	$d_{nom}$		-	-	12	-	16	20	-	25	-	-							
Size (nominal diameter of the bar)	$\phi$		8	10	12	14	16	18	20	22	24	25	26	28	30	32	34	36	40
Reinforcing bar	$d_{nom}$	[mm]	8	10	12	14	16	18	20	22	24	25	26	28	30	32	34	36	40
fischer injection system FIS EM Plus												<b>Annex C 4</b>							
<b>Performance</b> Essential characteristics under tensile / shear load																			

<b>Table C5.1: Essential characteristics of tensile resistance for fischer anchor rods and standard threaded rods in hammer or diamond drilled holes; uncracked or cracked concrete</b>													
Anchor rod / standard threaded rod			M8	M10	M12	M14	M16	M20	M22	M24	M27	M30	
<b>Combined pullout and concrete cone failure</b>													
Calculation diameter	d	[mm]	8	10	12	14	16	20	22	24	27	30	
<b>Uncracked concrete</b>													
<b>Characteristic bond resistance in uncracked concrete C20/25</b>													
<u>Hammer-drilling with standard drill bit or hollow drill bit (dry or wet concrete)</u>													
Temperature range	I: 35 °C / 60 °C		$\tau_{Rk,ucr}$	[N/mm <sup>2</sup> ]	18	18	18	17	17	16	15	15	14
	II: 50 °C / 72 °C				18	17	17	16	16	15	14	14	14
<u>Hammer-drilling with standard drill bit or hollow drill bit (water filled hole)</u>													
Temperature range	I: 35 °C / 60 °C		$\tau_{Rk,ucr}$	[N/mm <sup>2</sup> ]	16	16	15	13	13	11	11	10	9
	II: 50 °C / 72 °C				15	14	14	13	12	11	10	10	9
<u>Diamond-drilling (dry or wet concrete as well as water filled hole)</u>													
Temperature range	I: 35 °C / 60 °C		$\tau_{Rk,ucr}$	[N/mm <sup>2</sup> ]	16	15	13	12	12	10	10	10	9
	II: 50 °C / 72 °C				15	14	12	11	11	10	9	9	8
<b>Installation factors</b>													
Dry or wet concrete												1,0	
Water filled hole		$\gamma_{inst}$	[-]									1,4	
<b>Cracked concrete</b>													
<b>Characteristic bond resistance in cracked concrete C20/25</b>													
<u>Hammer-drilling with standard drill bit or hollow drill bit (dry or wet concrete)</u>													
Temperature range	I: 35 °C / 60 °C		$\tau_{Rk,cr}$	[N/mm <sup>2</sup> ]	7,5	7,5	9	8,5	8,5	8,5	8,5	8,5	8,5
	II: 50 °C / 72 °C				7,5	7,5	9	8,5	8,5	8,5	8,5	8,5	8,5
<u>Diamond - drilling (dry or wet concrete)</u>													
Temperature range	I: 35 °C / 60 °C		$\tau_{Rk,cr}$	[N/mm <sup>2</sup> ]	7	7	7	7	6	6	7	7	7
	II: 50 °C / 72 °C				7	7	7	7	6	6	7	7	7
<u>Hammer-drilling with standard drill bit or hollow drill bit and diamond-drilling (water filled hole)</u>													
Temperature range	I: 35 °C / 60 °C		$\tau_{Rk,cr}$	[N/mm <sup>2</sup> ]	6	7,5	7,5	7	6	6	6	6	6
	II: 50 °C / 72 °C				6	7	7	7	6	6	6	6	6
<b>Installation factors</b>													
Dry or wet concrete												1,0	
Water filled hole		$\gamma_{inst}$	[-]									1,2	
												1,4	
fischer injection system FIS EM Plus										<b>Annex C 5</b>			
<b>Performance</b> Essential characteristics of tensile resistance for fischer anchor rod and standard threaded rods													



<b>Table C6.1: Essential characteristics of tensile resistance for fischer internal threaded anchors RG MI in hammer or diamond drilled holes; uncracked or cracked concrete</b>							
<b>Internal threaded anchor RG MI</b>			<b>M8</b>	<b>M10</b>	<b>M12</b>	<b>M16</b>	<b>M20</b>
<b>Combined pullout and concrete cone failure</b>							
Calculation diameter	d	[mm]	12	16	18	22	28
<b>Uncracked concrete</b>							
<b>Characteristic bond resistance in uncracked concrete C20/25</b>							
<u>Hammer-drilling with standard drill bit or hollow drill bit (dry or wet concrete)</u>							
Temperature range	I: 35 °C / 60 °C	$\tau_{Rk,ucr}$ [N/mm <sup>2</sup> ]	15	14	14	13	12
	II: 50 °C / 72 °C		14	13	13	12	11
<u>Hammer-drilling with standard drill bit or hollow drill bit (water filled hole)</u>							
Temperature range	I: 35 °C / 60 °C	$\tau_{Rk,ucr}$ [N/mm <sup>2</sup> ]	14	12	12	11	10
	II: 50 °C / 72 °C		13	12	11	10	9
<u>Diamond-drilling (dry or wet concrete as well as water filled hole)</u>							
Temperature range	I: 35 °C / 60 °C	$\tau_{Rk,ucr}$ [N/mm <sup>2</sup> ]	13	12	11	10	9
	II: 50 °C / 72 °C		12	11	10	9	8
<b>Installation factors</b>							
Dry or wet concrete	$\gamma_{inst}$	[-]	1,0				
Water filled hole			1,4				
<b>Cracked concrete</b>							
<b>Characteristic bond resistance in cracked concrete C20/25</b>							
<u>Hammer-drilling with standard drill bit or hollow drill bit and diamond-drilling (dry or wet concrete)</u>							
Temperature range	I: 35 °C / 60 °C	$\tau_{Rk,cr}$ [N/mm <sup>2</sup> ]	7	6	6	7	7
	II: 50 °C / 72 °C		7	6	6	7	7
<u>Hammer-drilling with standard drill bit or hollow drill bit and diamond-drilling (water filled hole)</u>							
Temperature range	I: 35 °C / 60 °C	$\tau_{Rk,cr}$ [N/mm <sup>2</sup> ]	7	6,5	6	6	6
	II: 50 °C / 72 °C		7	6	6	6	6
<b>Installation factors</b>							
Dry or wet concrete	$\gamma_{inst}$	[-]	1,0				
Water filled hole			1,2			1,4	
fischer injection system FIS EM Plus						<b>Annex C 6</b>	
<b>Performance</b> Essential characteristics of tensile resistance for fischer internal threaded anchors RG MI							

<b>Table C7.1: Essential characteristics of tensile resistance for reinforcing bars in hammer or diamond drilled holes; uncracked or cracked concrete</b>																				
Nominal diameter of the bar $\phi$		8	10	12	14	16	18	20	22	24	25	26	28	30	32	34	36	40		
<b>Combined pullout and concrete cone failure</b>																				
Calculation diameter d		[mm]	8	10	12	14	16	18	20	22	24	25	26	28	30	32	34	36	40	
<b>Uncracked concrete</b>																				
<b>Characteristic bond resistance in uncracked concrete C20/25</b>																				
Hammer-drilling with standard drill bit or hollow drill bit (dry or wet concrete)																				
Temperature range	I: 35 °C / 60 °C	$\tau_{Rk,ucr}$	[N/mm <sup>2</sup> ]	16	15	15	14	14	13	13	13	12	12	12	12	12	11	11	11	
	II: 50 °C / 72 °C			15	14	14	13	13	12	12	12	12	11	11	11	11	11	11	10	10
Hammer-drilling with standard drill bit or hollow drill bit (water filled hole)																				
Temperature range	I: 35 °C / 60 °C	$\tau_{Rk,ucr}$	[N/mm <sup>2</sup> ]	16	16	14	13	12	12	11	11	10	10	10	10	9	9	9	8	8
	II: 50 °C / 72 °C			15	14	13	12	12	11	11	10	10	9	9	9	9	8	8	8	8
Diamond-drilling (dry or wet concrete as well as water filled hole)																				
Temperature range	I: 35 °C / 60 °C	$\tau_{Rk,ucr}$	[N/mm <sup>2</sup> ]	16	15	13	12	12	11	10	10	10	9	9	9	9	8	8	8	7
	II: 50 °C / 72 °C			15	14	12	11	11	10	10	9	9	9	8	8	8	8	7	7	7
<b>Installation factors</b>																				
Dry or wet concrete		$\gamma_{inst}$	[-]															1,0		
Water filled hole																		1,4		
<b>Cracked concrete</b>																				
<b>Characteristic bond resistance in cracked concrete C20/25</b>																				
Hammer-drilling with standard drill bit or hollow drill bit (dry or wet concrete)																				
Temperature range	I: 35 °C / 60 °C	$\tau_{Rk,cr}$	[N/mm <sup>2</sup> ]	7	7	8	8	8	8	8	8	8	8	8	8	8	8	8	8	
	II: 50 °C / 72 °C			7	7	8	8	8	8	8	8	8	8	8	8	8	8	8	8	
Diamond-drilling (dry or wet concrete)																				
Temperature range	I: 35 °C / 60 °C	$\tau_{Rk,cr}$	[N/mm <sup>2</sup> ]	7	7	7	7	6	6	6	7	7	7	7	7	5	5	5	5	
	II: 50 °C / 72 °C			7	7	7	7	6	6	6	7	7	7	7	7	5	5	5	5	
Hammer-drilling with standard drill bit or hollow drill bit and diamond-drilling (water filled hole)																				
Temperature range	I: 35 °C / 60 °C	$\tau_{Rk,cr}$	[N/mm <sup>2</sup> ]	6	7,5	6,5	6,5	6,5	6	6	6	6	6	6	6	5	5	5	5	
	II: 50 °C / 72 °C			6	6,5	6,5	6	6	6	6	6	6	6	6	6	5	5	5	5	
<b>Installation factors</b>																				
Dry or wet concrete		$\gamma_{inst}$	[-]															1,0		
Water filled hole				1,2						1,4										
fischer injection system FIS EM Plus														<b>Annex C 7</b>						
<b>Performance</b> Essential characteristics of tensile resistance for reinforcing bars																				



<b>Table C8.1: Essential characteristics of tensile resistance for fischer rebar anchors FRA in hammer or diamond drilled holes; uncracked or cracked concrete</b>							
<b>fischer rebar anchor FRA</b>		<b>M12</b>	<b>M16</b>	<b>M20</b>	<b>M24</b>		
<b>Combined pullout and concrete cone failure</b>							
Calculation diameter	d	[mm]	12	16	20	25	
<b>Uncracked concrete</b>							
<b>Characteristic bond resistance in uncracked concrete C20/25</b>							
<u>Hammer-drilling with standard drill bit or hollow drill bit (dry or wet concrete)</u>							
Temperature range	I: 35 °C / 60 °C	$\tau_{Rk,ucr}$	[N/mm <sup>2</sup> ]	15	14	13	12
	II: 50 °C / 72 °C			14	13	12	12
<u>Hammer-drilling with standard drill bit or hollow drill bit (water filled hole)</u>							
Temperature range	I: 35 °C / 60 °C	$\tau_{Rk,ucr}$	[N/mm <sup>2</sup> ]	14	12	11	10
	II: 50 °C / 72 °C			13	12	11	9
<u>Diamond-drilling (dry or wet concrete as well as water filled hole)</u>							
Temperature range	I: 35 °C / 60 °C	$\tau_{Rk,ucr}$	[N/mm <sup>2</sup> ]	13	12	10	9
	II: 50 °C / 72 °C			12	11	10	9
<b>Installation factors</b>							
Dry or wet concrete	$\gamma_{inst}$	[-]	1,0				
Water filled hole			1,4				
<b>Cracked concrete</b>							
<b>Characteristic bond resistance in cracked concrete C20/25</b>							
<u>Hammer-drilling with standard drill bit or hollow drill bit and diamond-drilling (dry or wet concrete)</u>							
Temperature range	I: 35 °C / 60 °C	$\tau_{Rk,cr}$	[N/mm <sup>2</sup> ]	8	8	8	8
	II: 50 °C / 72 °C			8	8	8	8
<u>Hammer-drilling with standard drill bit or hollow drill bit and diamond-drilling (water filled hole)</u>							
Temperature range	I: 35 °C / 60 °C	$\tau_{Rk,cr}$	[N/mm <sup>2</sup> ]	7	6	6	6
	II: 50 °C / 72 °C			7	6	6	6
<b>Installation factors</b>							
Dry or wet concrete	$\gamma_{inst}$	[-]	1,0				
Water filled hole			1,2		1,4		
fischer injection system FIS EM Plus						<b>Annex C 8</b>	
<b>Performance</b> Essential characteristics of tensile resistance for fischer rebar anchors FRA							

<b>Table C9.1: Displacements for anchor rods</b>											
Anchor rod		M8	M10	M12	M14	M16	M20	M22	M24	M27	M30
<b>Displacement-Factors for tensile load<sup>1)</sup></b>											
<b>Uncracked or cracked concrete; Temperature range I, II</b>											
$\delta_{N0}$ -Factor	[mm/(N/mm <sup>2</sup> )]	0,07	0,08	0,09	0,09	0,10	0,11	0,11	0,12	0,12	0,13
$\delta_{N\infty}$ -Factor		0,11	0,12	0,13	0,14	0,15	0,16	0,17	0,18	0,19	0,19
<b>Displacement-Factors for shear load<sup>2)</sup></b>											
<b>Uncracked or cracked concrete; Temperature range I, II</b>											
$\delta_{V0}$ -Factor	[mm/kN]	0,18	0,15	0,12	0,10	0,09	0,07	0,07	0,06	0,05	0,05
$\delta_{V\infty}$ -Factor		0,27	0,22	0,18	0,16	0,14	0,11	0,10	0,09	0,08	0,07
1) Calculation of effective displacement: $\delta_{N0} = \delta_{N0}\text{-Factor} \cdot \tau_{Ed}$ $\delta_{N\infty} = \delta_{N\infty}\text{-Factor} \cdot \tau_{Ed}$ ( $\tau_{Ed}$ : Design value of the applied tensile stress)						2) Calculation of effective displacement: $\delta_{V0} = \delta_{V0}\text{-Factor} \cdot V_{Ed}$ $\delta_{V\infty} = \delta_{V\infty}\text{-Factor} \cdot V_{Ed}$ ( $V_{Ed}$ : Design value of the applied shear force)					
<b>Table C9.2: Displacements for fischer internal threaded anchors RG MI</b>											
Internal threaded anchor RG MI		M8	M10	M12	M16	M20					
<b>Displacement-Factors for tensile load<sup>1)</sup></b>											
<b>Uncracked or cracked concrete; Temperature range I, II</b>											
$\delta_{N0}$ -Factor	[mm/(N/mm <sup>2</sup> )]	0,09	0,10	0,10	0,11	0,13					
$\delta_{N\infty}$ -Factor		0,13	0,15	0,16	0,17	0,19					
<b>Displacement-Factors for shear load<sup>2)</sup></b>											
<b>Uncracked or cracked concrete; Temperature range I, II</b>											
$\delta_{V0}$ -Factor	[mm/kN]	0,12	0,09	0,08	0,07	0,05					
$\delta_{V\infty}$ -Factor		0,18	0,14	0,12	0,10	0,08					
1) Calculation of effective displacement: $\delta_{N0} = \delta_{N0}\text{-Factor} \cdot \tau_{Ed}$ $\delta_{N\infty} = \delta_{N\infty}\text{-Factor} \cdot \tau_{Ed}$ ( $\tau_{Ed}$ : Design value of the applied tensile stress)						2) Calculation of effective displacement: $\delta_{V0} = \delta_{V0}\text{-Factor} \cdot V_{Ed}$ $\delta_{V\infty} = \delta_{V\infty}\text{-Factor} \cdot V_{Ed}$ ( $V_{Ed}$ : Design value of the applied shear force)					
fischer injection system FIS EM Plus										<b>Annex C 9</b>	
<b>Performance</b> Displacements for anchor rods and fischer internal threaded anchors RG MI											

**Table C10.1: Displacements for reinforcing bars**

Nominal diameter of the bar $\phi$		8	10	12	14	16	18	20	22	24	25	26	28	30	32	34	36	40
<b>Displacement-Factors for tensile load<sup>1)</sup></b>																		
<b>Uncracked or cracked concrete; Temperature range I, II</b>																		
$\delta_{N0}$ -Factor	[mm/(N/mm <sup>2</sup> )]	0,07	0,08	0,09	0,09	0,10	0,10	0,11	0,11	0,12	0,12	0,12	0,13	0,13	0,13	0,14	0,14	0,15
$\delta_{N\infty}$ -Factor		0,11	0,12	0,13	0,14	0,15	0,16	0,16	0,17	0,18	0,18	0,18	0,19	0,19	0,20	0,20	0,21	0,22
<b>Displacement-Factors for shear load<sup>2)</sup></b>																		
<b>Uncracked or cracked concrete; Temperature range I, II</b>																		
$\delta_{V0}$ -Factor	[mm/kN]	0,18	0,15	0,12	0,10	0,09	0,08	0,07	0,07	0,06	0,06	0,06	0,05	0,05	0,05	0,04	0,04	0,04
$\delta_{V\infty}$ -Factor		0,27	0,22	0,18	0,16	0,14	0,12	0,11	0,10	0,09	0,09	0,08	0,08	0,07	0,07	0,06	0,06	0,05
1) Calculation of effective displacement: $\delta_{N0} = \delta_{N0}\text{-Factor} \cdot \tau_{Ed}$ $\delta_{N\infty} = \delta_{N\infty}\text{-Factor} \cdot \tau_{Ed}$ ( $\tau_{Ed}$ : Design value of the applied tensile stress)									2) Calculation of effective displacement: $\delta_{V0} = \delta_{V0}\text{-Factor} \cdot V_{Ed}$ $\delta_{V\infty} = \delta_{V\infty}\text{-Factor} \cdot V_{Ed}$ ( $V_{Ed}$ : Design value of the applied shear force)									

**Table C10.2: Displacements for fischer rebar anchors FRA**

fischer rebar anchor FRA	M12	M16	M20	M24
<b>Displacement-Factors for tensile load<sup>1)</sup></b>				
<b>Uncracked or cracked concrete; Temperature range I, II</b>				
$\delta_{N0}$ -Factor	0,09		0,10	0,11
$\delta_{N\infty}$ -Factor	0,13		0,15	0,16
<b>Displacement-Factors for shear load<sup>2)</sup></b>				
<b>Uncracked or cracked concrete; Temperature range I, II</b>				
$\delta_{V0}$ -Factor	0,12		0,09	0,07
$\delta_{V\infty}$ -Factor	0,18		0,14	0,11
1) Calculation of effective displacement: $\delta_{N0} = \delta_{N0}\text{-Factor} \cdot \tau_{Ed}$ $\delta_{N\infty} = \delta_{N\infty}\text{-Factor} \cdot \tau_{Ed}$ ( $\tau_{Ed}$ : Design value of the applied tensile stress)		2) Calculation of effective displacement: $\delta_{V0} = \delta_{V0}\text{-Factor} \cdot V_{Ed}$ $\delta_{V\infty} = \delta_{V\infty}\text{-Factor} \cdot V_{Ed}$ ( $V_{Ed}$ : Design value of the applied shear force)		

fischer injection system FIS EM Plus

**Performance**

Displacements for reinforcing bars and fischer rebar anchors FRA

**Annex C 10**

**Table C11.1:** Essential characteristics for the **steel bearing capacity** under tensile / shear load of **fischer anchor rods** and **standard threaded rods** under seismic action performance category **C1 or C2**

Anchor rod / standard threaded rod		M10	M12	M14	M16	M20	M22	M24	M27	M30		
<b>Bearing capacity under tensile load, steel failure<sup>1)</sup></b>												
<b>fischer anchor rods and standard threaded rods, performance category C1</b>												
Characteristic resistance $N_{Rk,s,eq,C1}$	Steel zinc plated	5.8	[kN]	29(27)	43	58	79	123	152	177	230	281
		8.8		47(43)	68	92	126	196	243	282	368	449
	Stainless steel A4 and high corrosion resistant steel C	50	29	43	58	79	123	152	177	230	281	
		70	41	59	81	110	172	212	247	322	393	
		80	47	68	92	126	196	243	282	368	449	
<b>fischer anchor rods and standard threaded rods, performance category C2</b>												
Characteristic resistance $N_{Rk,s,eq,C2}$	Steel zinc plated	5.8	[-]	-	39	-	72	108	-	177	-	-
		8.8		-	61	-	116	173	-	282	-	-
	Stainless steel A4 and high corrosion resistant steel C	50	-	39	-	72	108	-	177	-	-	
		70	-	53	-	101	152	-	247	-	-	
		80	-	61	-	116	173	-	282	-	-	
<b>Bearing capacity under shear load, steel failure without lever arm<sup>1)</sup></b>												
<b>fischer anchor rods, performance category C1</b>												
Characteristic resistance $V_{Rk,s,eq,C1}^0$	Steel zinc plated	5.8	[kN]	15(13)	21	29	39	61	76	89	115	141
		8.8		23(21)	34	46	63	98	122	141	184	225
	Stainless steel A4 and high corrosion resistant steel C	50	15	21	29	39	61	76	89	115	141	
		70	20	30	40	55	86	107	124	161	197	
		80	23	34	46	63	98	122	141	184	225	
<b>Standard threaded rods, performance category C1</b>												
Characteristic resistance $V_{Rk,s,eq,C1}^0$	Steel zinc plated	5.8	[kN]	11(9)	15	20	27	43	53	62	81	99
		8.8		16(14)	24	32	44	69	85	99	129	158
	Stainless steel A4 and high corrosion resistant steel C	50	11	15	20	27	43	53	62	81	99	
		70	14	21	28	39	60	75	87	113	138	
		80	16	24	32	44	69	85	99	129	158	
<b>fischer anchor rods and standard threaded rods, performance category C2</b>												
Characteristic resistance $V_{Rk,s,eq,C2}^0$	Steel zinc plated	5.8	[-]	-	14	-	27	43	-	62	-	-
		8.8		-	22	-	44	69	-	99	-	-
	Stainless steel A4 and high corrosion resistant steel C	50	-	14	-	27	43	-	62	-	-	
		70	-	20	-	39	60	-	87	-	-	
		80	-	22	-	44	69	-	99	-	-	

<sup>1)</sup> Partial factors for performance category C1 or C2 see table C12.2; for fischer anchor rods FIS A / RGM the factor for steel ductility is 1,0

<sup>2)</sup> Values in brackets are valid for undersized threaded rods with smaller stress area  $A_s$  for hotdip galvanized standard threaded rods according to EN ISO 10684:2004+AC:2009.

fischer injection system FIS EM Plus

**Performance**

Essential characteristics for the steel bearing capacity for fischer anchor rods and standard threaded rods under seismic action (performance category C1 / C2)

**Annex C 11**

**Table C12.1:** Essential characteristics for the **steel bearing capacity** under tensile / shear load of **reinforcing bars (B500B)** under seismic action performance category C1

Nominal diameter of the bar	$\phi$	10	12	14	16	18	20	22	24	25	26	28	30	32
<b>Bearing capacity under tensile load, steel failure<sup>1)</sup></b>														
<b>Reinforcing bar B500B acc. to DIN 488-2:2009-08, performance category C1</b>														
Characteristic resistance	$N_{Rk,s,eq,C1}$ [kN]	44	63	85	111	140	173	209	249	270	292	339	389	443
<b>Bearing capacity under shear load, steel failure without lever arm<sup>1)</sup></b>														
<b>Reinforcing bar B500B acc. to DIN 488-2:2009-08, performance category C1</b>														
Characteristic resistance	$V^0_{Rk,s,eq,C1}$ [kN]	15	22	30	39	49	61	74	88	95	102	119	137	155

<sup>1)</sup> Partial factors for performance category C1 see table C12.2

**Table C12.2:** **Partial factors for fischer anchor rods, standard threaded rods and reinforcing bars (B500B)** under seismic action performance category **C1 or C2**

Anchor rod / standard threaded rod		M10	M12	M14	M16	M20	M22	M24	M27	M30					
Nominal diameter of the bar	$\phi$	10	12	14	16	18	20	22	24	25	26	28	30	32	
<b>Tensile load, steel failure<sup>1)</sup></b>															
Partial factor $\gamma_{Ms,N}$	Steel zinc plated	5.8									1,50				
		8.8									1,50				
	Stainless steel A4 and high corrosion resistant steel C	Property class	50	[-]								2,86			
			70									1,50 <sup>2)</sup> / 1,87			
			80									1,60			
	Reinforcing bar	B500B									1,40				
<b>Shear load, steel failure<sup>1)</sup></b>															
Partial factor $\gamma_{Ms,V}$	Steel zinc plated	5.8									1,25				
		8.8									1,25				
	Stainless steel A4 and high corrosion resistant steel C	Property class	50	[-]								2,38			
			70									1,25 <sup>2)</sup> / 1,56			
			80									1,33			
	Reinforcing bar	B500B									1,50				

<sup>1)</sup> In absence of other national regulations

<sup>2)</sup> Only admissible for steel C, with  $f_{yk} / f_{uk} \geq 0,8$  and  $A_5 > 12\%$  (e.g. fischer anchor rods)

fischer injection system FIS EM Plus

**Performance**

Essential characteristics for the steel bearing capacity for reinforcing bars under seismic action (performance category C1); partial safety factors (performance category C1 / C2)

**Annex C 12**



**Table C13.1:** Essential characteristics of **resistance** for **fischer anchor rods** and **standard threaded rods** in hammer drilled holes under seismic action performance category **C1**

Anchor rod / standard threaded rod	M10	M12	M14	M16	M20	M22	M24	M27	M30				
<b>Characteristic bond resistance, combined pullout and concrete cone failure</b>													
<b>Hammer-drilling with standard drill bit or hollow drill bit (dry or wet concrete)</b>													
Tem- perature range	I: 35 °C / 60 °C	$\tau_{Rk,eq,C1}$	[N/mm <sup>2</sup> ]	7,0	7,0	6,7	6,0	5,7	6,7	6,7	6,7	6,7	6,7
	II: 50 °C / 72 °C			7,0	7,0	6,7	5,7	5,7	6,7	6,7	6,7	6,7	6,7
<b>Hammer-drilling with standard drill bit or hollow drill bit (water filled hole)</b>													
Tem- perature range	I: 35 °C / 60 °C	$\tau_{Rk,eq,C1}$	[N/mm <sup>2</sup> ]	7,5	7,5	6,5	5,7	5,7	5,7	5,7	5,7	5,7	5,7
	II: 50 °C / 72 °C			6,8	6,8	6,5	5,7	5,7	5,7	5,7	5,7	5,7	5,7
<b>Installation factors</b>													
<b>tensile load</b>													
Dry or wet concrete	$\gamma_{Inst}$	[-]	1,0										
Water filled hole			1,2				1,4						
<b>shear load</b>													
All installation conditions	$\gamma_{Inst}$	[-]	1,0										

**Table C13.2:** Essential characteristics of **resistance** for **reinforcing bars** in hammer drilled holes under seismic action performance category **C1**

Nominal diameter of the bar	$\phi$	10	12	14	16	18	20	22	24	25	26	28	30	32	
<b>Characteristic bond resistance, combined pullout and concrete cone failure</b>															
<b>Hammer-drilling with standard drill bit or hollow drill bit (dry or wet concrete)</b>															
Tem- perature range	I: 35 °C / 60 °C	$\tau_{Rk,eq,C1}$	[N/mm <sup>2</sup> ]	7,0	7,0	6,7	5,7	5,7	5,7	6,7	6,7	6,7	6,7	6,7	4,8
	II: 50 °C / 72 °C			7,0	7,0	6,7	5,7	5,7	5,7	6,7	6,7	6,7	6,7	6,7	6,7
<b>Hammer-drilling with standard drill bit or hollow drill bit (water filled hole)</b>															
Tem- perature range	I: 35 °C / 60 °C	$\tau_{Rk,eq,C1}$	[N/mm <sup>2</sup> ]	7,5	6,5	6,5	5,7	5,7	5,7	5,7	5,7	5,7	5,7	5,7	4,8
	II: 50 °C / 72 °C			6,5	6,5	5,8	5,8	5,7	5,7	5,7	5,7	5,7	5,7	5,7	5,7
<b>Installation factors</b>															
<b>Tensile load</b>															
Dry or wet concrete	$\gamma_{Inst}$	[-]	1,0												
Water filled hole			1,2				1,4								
<b>Shear load</b>															
All installation conditions	$\gamma_{Inst}$	[-]	1,0												

fischer injection system FIS EM Plus

**Performance**

Essential characteristics under seismic action (performance category C1) for fischer anchor rods, standard threaded rods and reinforcing bars

**Annex C 13**

**Table C14.1:** Essential characteristics of **resistance** for **fischer anchor rods** and **standard threaded rods** in hammer drilled holes under seismic action performance category **C2**

Anchor rod / standard threaded rod		M12	M16	M20	M24	
<b>Characteristic bond resistance, combined pullout and concrete cone failure</b>						
<b>Hammer-drilling with standard drill bit or hollow drill bit (dry or wet concrete)</b>						
Tem- perature range	I: 35 °C / 60 °C	$\tau_{RK,eq,C2}$ [N/mm <sup>2</sup> ]	3,5	5,8	5,0	3,1
	II: 50 °C / 72 °C		3,3	5,5	4,7	2,9
<b>Hammer-drilling with standard drill bit or hollow drill bit (water filled hole)</b>						
Tem- perature range	I: 35 °C / 60 °C	$\tau_{RK,eq,C2}$ [N/mm <sup>2</sup> ]	3,5	5,8	5,0	3,1
	II: 50 °C / 72 °C		3,3	5,5	4,7	2,9
<b>Installation factors</b>						
<b>Tensile load</b>						
Dry or wet concrete	$\gamma_{inst}$	[-]	1,0			
Water filled hole			1,2	1,4		
<b>Shear load</b>						
All installation conditions	$\gamma_{inst}$	[-]	1,0			
<b>Displacement-Factors for tensile load<sup>1)</sup></b>						
$\delta_{N,(DLS)-Factor}$	[mm/(N/mm <sup>2</sup> )]	0,09	0,10	0,11	0,12	
$\delta_{N,(ULS)-Factor}$		0,15	0,17	0,17	0,18	
<b>Displacement-Factors for shear load<sup>2)</sup></b>						
$\delta_{V,(DLS)-Factor}$	[mm/kN]	0,18	0,10	0,07	0,06	
$\delta_{V,(ULS)-Factor}$		0,25	0,14	0,11	0,09	
1) Calculation of effective displacement: $\delta_{N,(DLS)} = \delta_{N,(DLS)-Factor} \cdot \tau_{Ed}$ $\delta_{N,(ULS)} = \delta_{N,(ULS)-Factor} \cdot \tau_{Ed}$ ( $\tau_{Ed}$ : Design value of the applied tensile stress)			2) Calculation of effective displacement: $\delta_{V,(DLS)} = \delta_{V,(DLS)-Factor} \cdot V_{Ed}$ $\delta_{V,(ULS)} = \delta_{V,(ULS)-Factor} \cdot V_{Ed}$ ( $V_{Ed}$ : Design value of the applied shear force)			
fischer injection system FIS EM Plus					<b>Annex C 14</b>	
<b>Performance</b> Essential characteristics under seismic action (performance category C2) for fischer anchor rods and standard threaded rods						